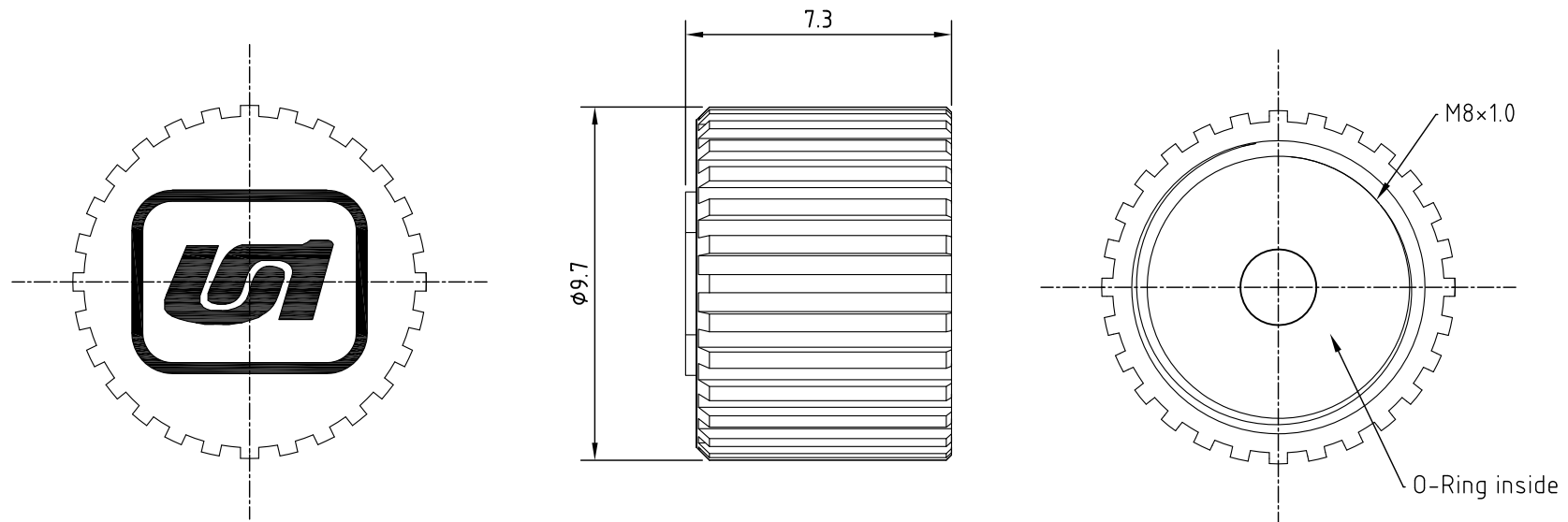


| REV. | Description | Date |
|------|-------------|------|
| | | |



RoHS
TOLERANCE X \pm 0.5 .X \pm 0.3

Material: PA/PC
Operating temperature: -40°C to 90°C



Unicable Co., Ltd. 國陽電業有限公司
5F., No. 111-33, Sec. 4, San Ho Road, San Chung City, Taiwan, R.O.C.
<http://www.unicable.com.tw> TEL:+886-2-2286-2122 FAX:+886-2-2286-1010

| | | | |
|------|-----------|----------|---------|
| DATE | 2016/10/7 | PART NO. | UT-209C |
| DWN | GINA | REV. | 0 |
| CHK | | | |
| UNIT | MM | | |

| | |
|------|----------------|
| ITEM | Waterproof Cap |
|------|----------------|