

REV.	Description	Date
1	upgrade drawing	2015/10/19
2	取消箭頭logo	2017/2/20

### Specification of connector

#### General Characteristics

Locking system : screw M15  
Termination : lathe/crimp, moulded  
Shell protection : IP68

#### Electronical Characteristics

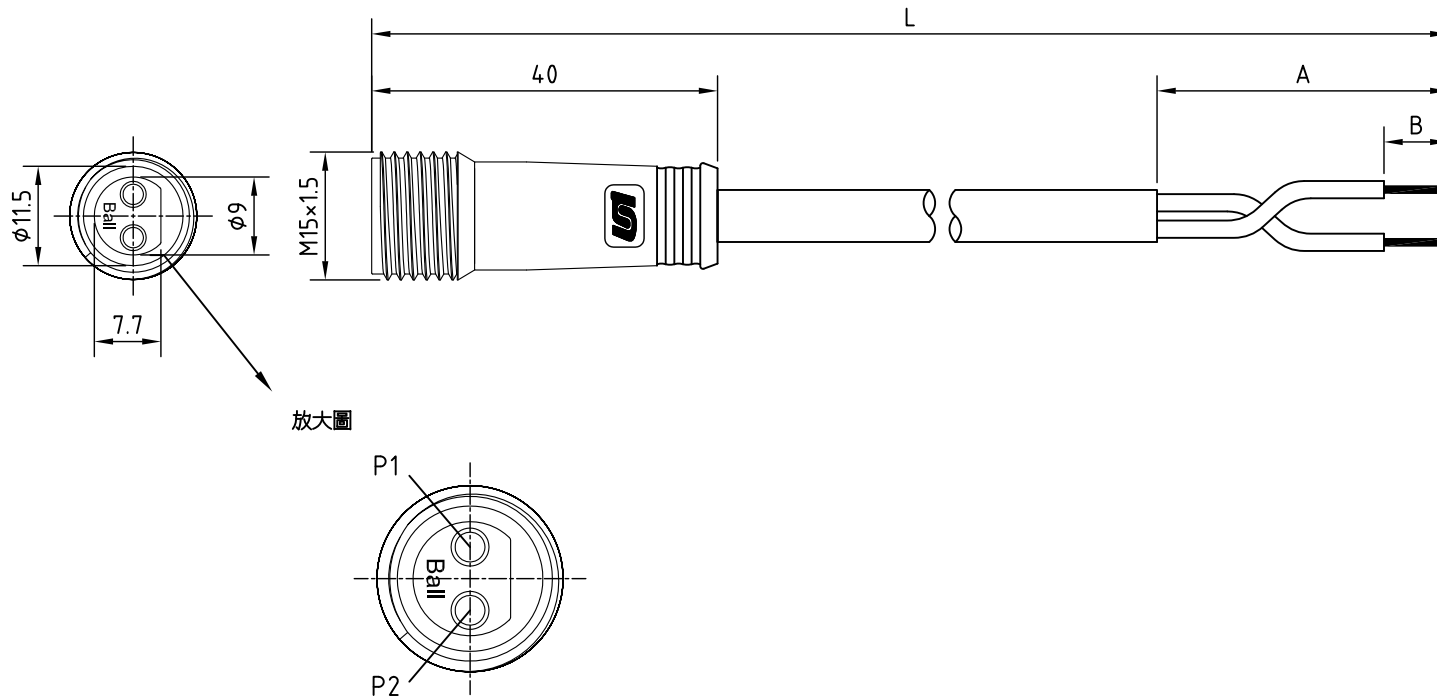
Rated voltage : 250V  
Rated current : 12A  
Contact resistance :  $\leq 10\text{m}\Omega$   
Insulation resistance :  $>10\text{M}\Omega$

#### Materials

Socket contact : brass  
Contact plating : nickel plated  
Female insert : PA

### Specification of cable

Material Jacket	PVC	PUR



RoHS

※符合球壓測試



Unicable Co., Ltd. 國陽電業有限公司

5F., No. 111-33, Sec. 4, San Ho Road, San Chung City, Taiwan, R.O.C.  
<http://www.unicable.com.tw> TEL:+886-2-2286-2122 FAX:+886-2-2286-1010

DATE	2017/2/20	PART NO.	UT-D224-2P
DWN	GINA	REV.	2
CHK			
UNIT	MM		

ITEM In-Line Molded Cable M15