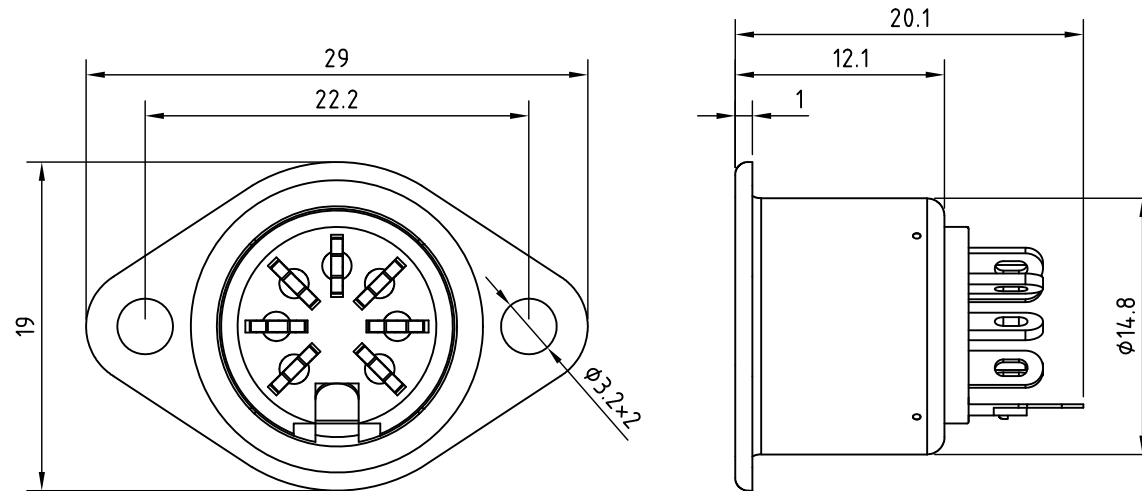


REV.	Description	Date
1	upgrade drawing	2013/1/29



Specification:  
 Rating: 100V AC 1A max.  
 Contact resistance:  
     Pin 30mΩ max.  
     Shell 50mΩ max.  
 Insulation resistance:  
     100MΩ at 500V DC min.  
 Voltage withstand:  
     250V AC for 1 minute

RoHS  
 TOLERANCE X±0.5 X.X±0.3

CONTACT ARRANGEMENT FRONT VIEW (FEMALE)	3P	4P	5AP	5BP	6P	7P	8AP	8BP

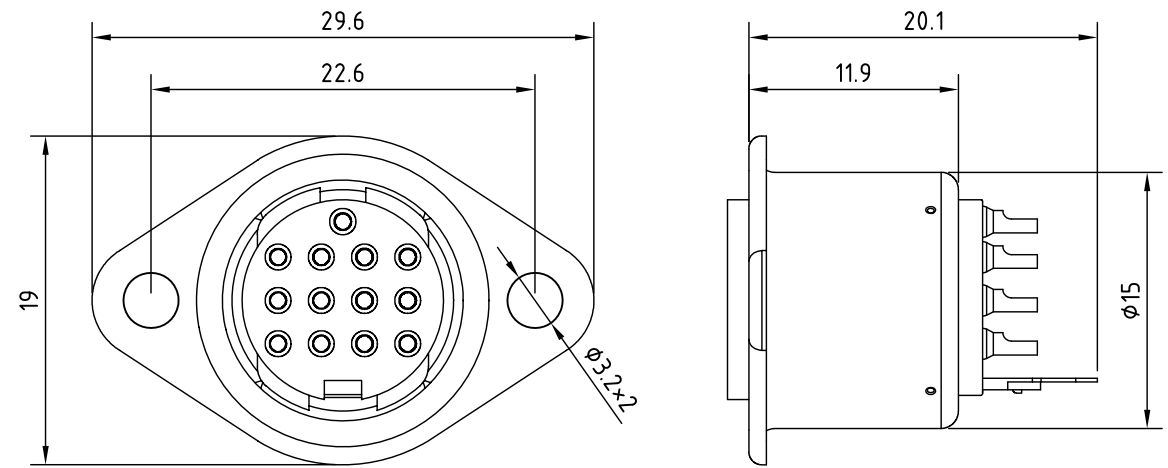
4	Grounding	Phoshor broze brass	Nickel plated
3	Terminal	Brass	Silver plated
2	Hosuing	ABS	
1	Shell	Steel	Nickel plated
Item	Description	Material	Treat & Remark



**Unicable Co., Ltd. 國陽電業有限公司**  
 5F., No. 111-33, Sec. 4, San Ho Road, San Chung City, Taiwan, R.O.C.  
<http://www.unicable.com.tw> TEL:+886-2-2286-2122 FAX:+886-2-2286-1010

DATE	2016/10/7	PART NO.	UT-DS557-XP
DWN	GINA	REV.	1
CHK			
ITEM	Push Lock Din Connector Socket	UNIT	MM

REV.	Description	Date
1	upgrade drawing	2013/1/29



Specification:  
 Rating: 100V AC 1A max.  
 Contact resistance:  
     Pin 30m $\Omega$  max.  
     Shell 50m $\Omega$  max.  
 Insulation resistance:  
     100M $\Omega$  at 500V DC min.  
 Voltage withstand:  
     250V AC for 1 minute

RoHS  
 TOLERANCE X $\pm$ 0.5 X.X $\pm$ 0.3

4	Grounding	Phospor broze brass	Nickel plated
3	Terminal	Brass	Silver plated
2	Hosuing	ABS	
1	Shell	Steel	Nickel plated
Item	Description	Material	Treat & Remark



**Unicable Co., Ltd. 國陽電業有限公司**  
 5F., No. 111-33, Sec. 4, San Ho Road, San Chung City, Taiwan, R.O.C.  
<http://www.unicable.com.tw> TEL:+886-2-2286-2122 FAX:+886-2-2286-1010

DATE	2016/10/7	PART NO.	UT-DS557-13P
DWN	GINA	REV.	1
CHK			
UNIT	MM		

ITEM	Push Lock Din Connector Socket
------	--------------------------------