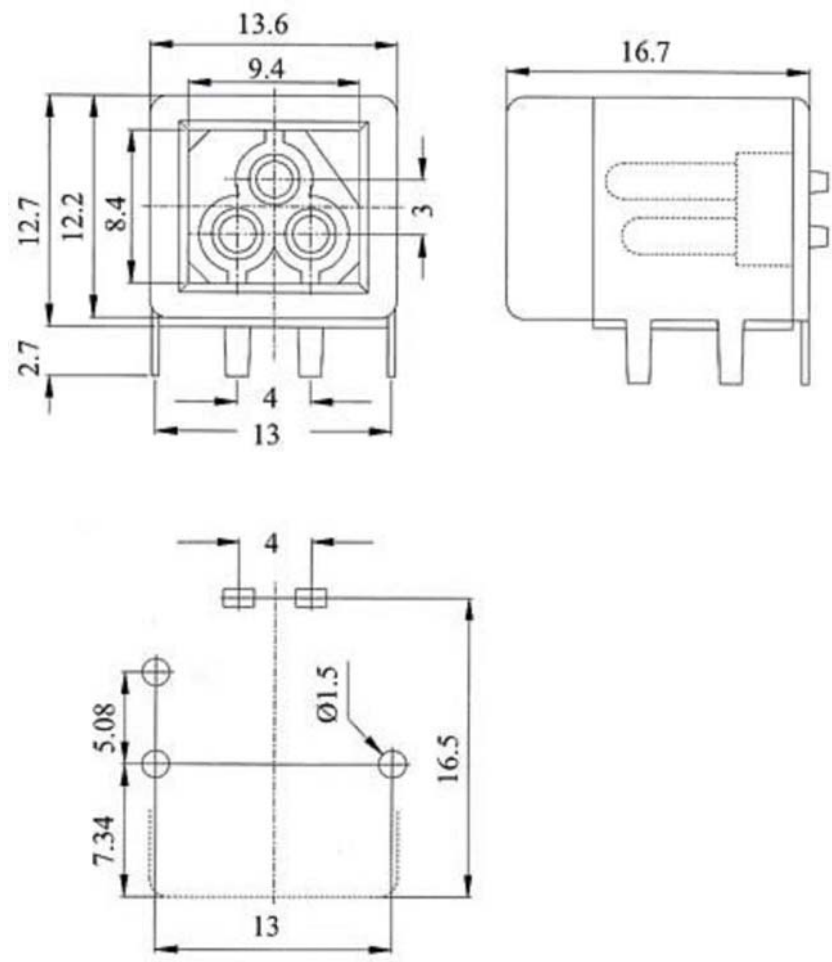


REV.	Description	Date



Specification

1. CONTACT RESISTANCE
 - I. INITIAL BEFORE ANY TESTING
 - (1) PIN TO TERMINAL: 30 MILLIOHMS MAX.
 - (2) PLUG TO PIN: 50 MILLIOHMS MAX.
 - II. AFTER LIEF TEST WITH THE NATE PLUG
 - (1) PIN TO TERMINAL: 30 MILLIOHMS MAX.
 - (2) PLUG TO PIN: 100 MILLIOHMS MAX.
2. INSERTION FORCE: 7.2KGS MAX.
EXTRACTION FORCE: 1.2KGS MIN.
3. PULL TEST: 11KGS PULL MAX APPLIED TO EACH PIN ,THE SOLDER JOINING THE PIN SHOULD NOT LOOSE FOR 10 SECONDS.
4. SOLDERING HEAT: TERMINAL FOR PCB TEMPERATURE STAND 260°C FOR 5±1 SECONDS.
5. INSULATION RESISTANCE: BETWEEN ANY OPEN TERMINAL: MORE THAN 100 MEGOHM BY 100V OR 250V. HUMIDITY AT 90-95% RELATIVE HUMIDITY AT 40°C
6. INSULATION: PLASTIC HOUSING RESISTANCE VALUE AT 1000 MEGOHM
7. VOLTAGE TEST: WITHSTAND 500V AC BETWEEN ANY OPEN TERMINAL FOR ONE MINUTE
8. LIEF TEST: WITHSTAND MORE THAN 5000 CYCLES INSERTION WITHDRAWAL WITH TESTING PLUG
9. RATING: 20V DC 8A MAX.

RoHS
TOLERANCE X.X±0.3 X.XX±0.2

4	Body	P.B.T.	
3	Pin	Brass	tin ptd.
2	Shunt terminal	BSR-H	tin ptd.
1	Earth terminal	SPCC	tin ptd.
Item	Description	Material	Treat & Remark



Unicable Co., Ltd. 國陽電業有限公司
5F., No. 111-33, Sec. 4, San Ho Road, San Chung City, Taiwan, R.O.C.
<http://www.unicable.com.tw> TEL:+886-2-2286-2122 FAX:+886-2-2286-1010

DATE	2016/10/7	PART NO.	UT-HS002-3P
DWN	GINA	REV.	0
CHK			
UNIT	MM		

ITEM	Housing Connector Molded Cable
------	--------------------------------