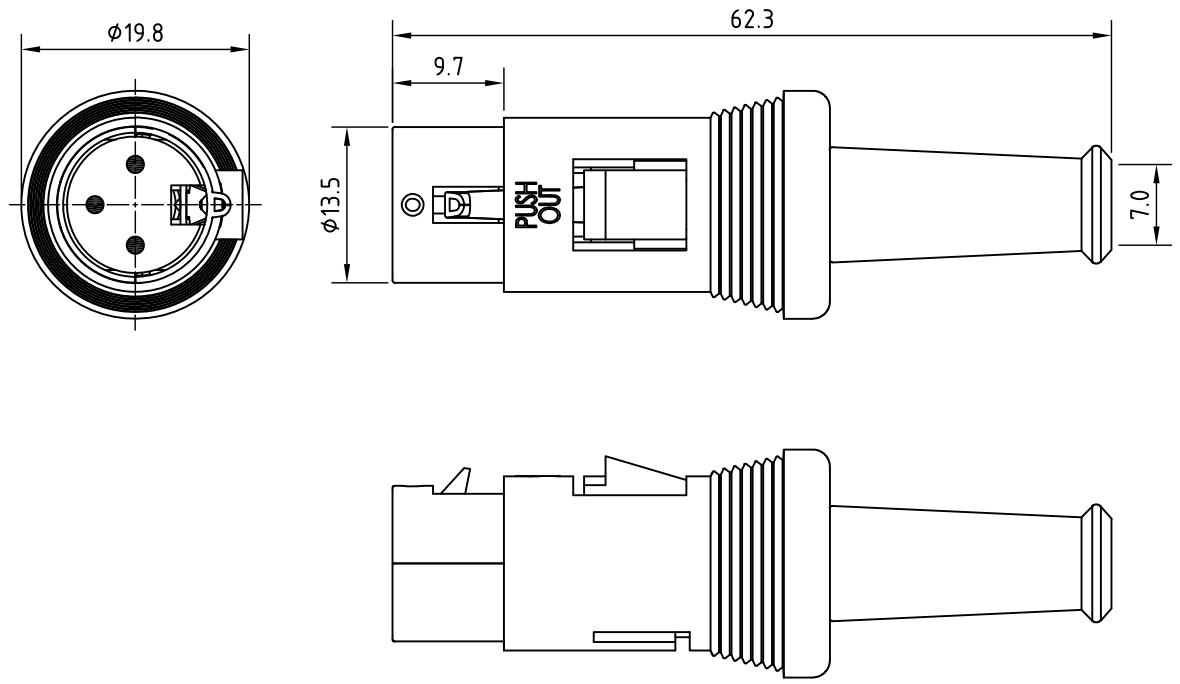
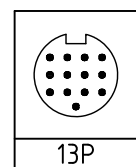


REV.	Description	Date
1	upgrade drawing	2012/4/10
2	add 13P	2013/7/3



Specification:  
 Rating: 100V AC 1A max.  
 Contact resistance:  
     Pin 30mΩ max.  
     Shell 50mΩ max.  
 Insulation resistance:  
     100MΩ at 500V DC min.  
 Voltage withstand:  
     250V AC for 1 minute

RoHS  
 TOLERANCE X±0.5 X.X±0.3



7	Terminal	Brass	Silver ptd.
6	Housing	ABS	
5	Spring hook	Steel	Nickel ptd.
4	Shield coverB	Steel	Nickel ptd.
3	Shield coverA	Steel	Nickel ptd.
2	Strain boot	PVC	
1	Shell cover	PA6	
Item	Description	Material	Treat & Remark

CONTACT ARRANGEMENT FRONT VIEW (MALE)	3P	4P	5AP	5BP	5CP	6P	7P	8AP	8BP



**Unicable Co., Ltd. 國陽電業有限公司**  
 5F., No. 111-33, Sec. 4, San Ho Road, San Chung City, Taiwan, R.O.C.  
<http://www.unicable.com.tw> TEL:+886-2-2286-2122 FAX:+886-2-2286-1010

DATE	2016/10/7	PART NO.	UT-L991-XP
DWN	GINA	REV.	2
CHK			
ITEM	Push Lock Din Connector Field Assembled Cable	UNIT	MM