

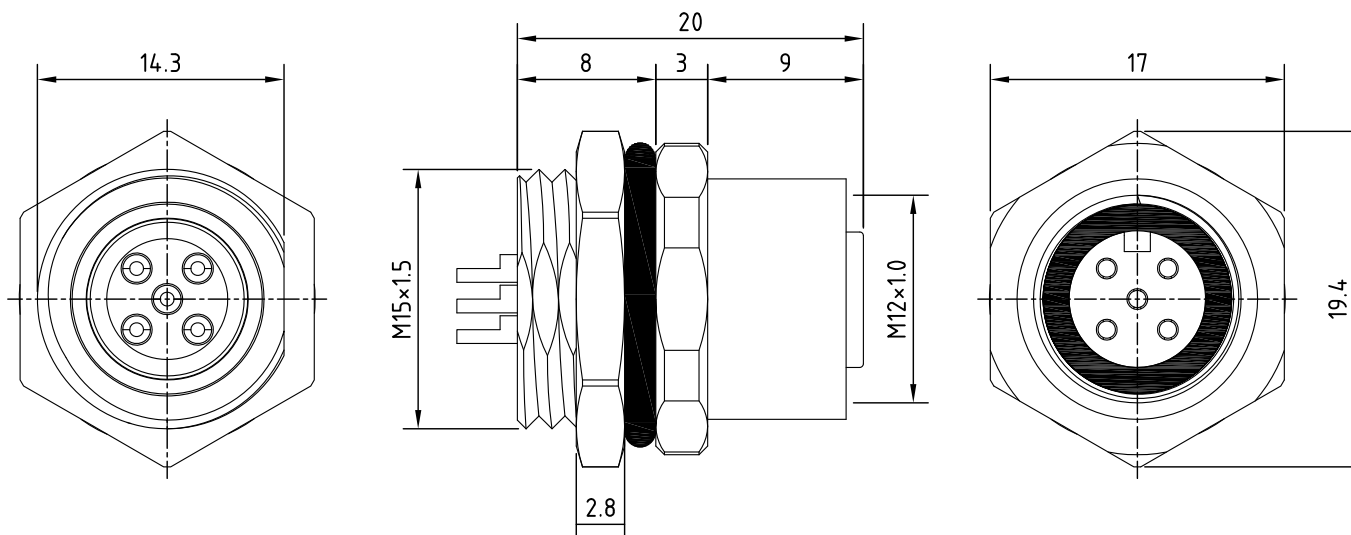
Recommended Panel cut-out

REV.	Description	Date
1	add 12P arrangement	2012/1/2
2	upgrade drawing	2014/3/24
3	add recommended panel cut-out	2018/4/16

### Specification of connector

#### General Characteristics

- Locking system : screw M12
- Termination : solder
- Shell protection : IP68
- Contact resistance :  $\leq 10\text{m}\Omega$
- Insulation resistance :  $\geq 10\text{M}\Omega$



RoHS

TOLERANCE X±0.5 .X±0.3

CONTACT ARRANGEMENT FRONT VIEW (FEMALE)	2P	3P	4P	5P	6P	7P	8P	12P
Rated voltage	250V				125V			60V
Rated current	5A				2A			1A

5	Nut	Brass	Nickel plated
4	Body	Brass	Nickel plated
3	O ring	Rubber	
2	Pin	Brass	Gold plated
1	Housing	PA	UL94V-0
Item	Description	Material	Treat & Remark



**Unicable Co., Ltd. 國陽電業有限公司**

5F., No. 111-33, Sec. 4, San Ho Road., San Chung Dist., New Taipei City, Taiwan, R.O.C.

http://www.unicable.com.tw TEL:+886-2-2286-2122 FAX:+886-2-2286-1010

DATE	2018/4/16	PART NO.	UT-SD168M2-XP
DWN	GINA	REV.	3
CHK			
ITEM	Sensor Connector M12	UNIT	MM