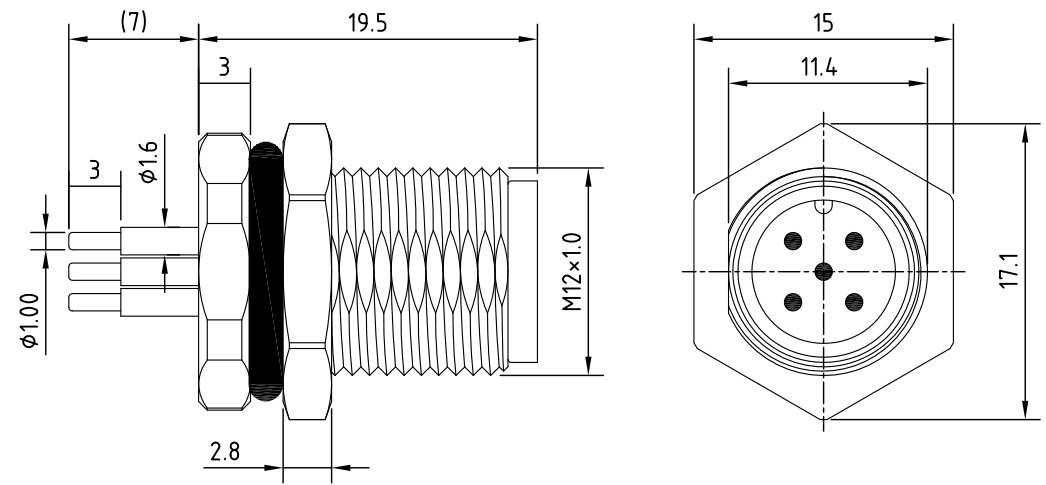


REV.	Description	Date



Specification of connector

Locking system : M12
 Termination : DIP
 Shell protection : IP68
 Rated voltage : 250V
 Rated current : 5A
 Contact resistance : $\leq 10\text{m}\Omega$
 Insulation resistance : $> 10\text{M}\Omega$

RoHS
TOLERANCE X \pm 0.5 .X \pm 0.3 .XX \pm 0.2

PART NO.	UT-SD170F8-2P-02	UT-SD170F8-3P-02	UT-SD170F8-4P-02	UT-SD170F8-5P-02
CONTACT ARRANGEMENT FRONT VIEW (MALE)				
PCB Layout				

5	Nut	Brass	Nickel plated
4	O ring	Rubber	
3	Body	Brass	Nickel plated
2	Pin	Brass	Gold plated
1	Housing	PA	UL94V-0
Item	Description	Material	Treat & Remark

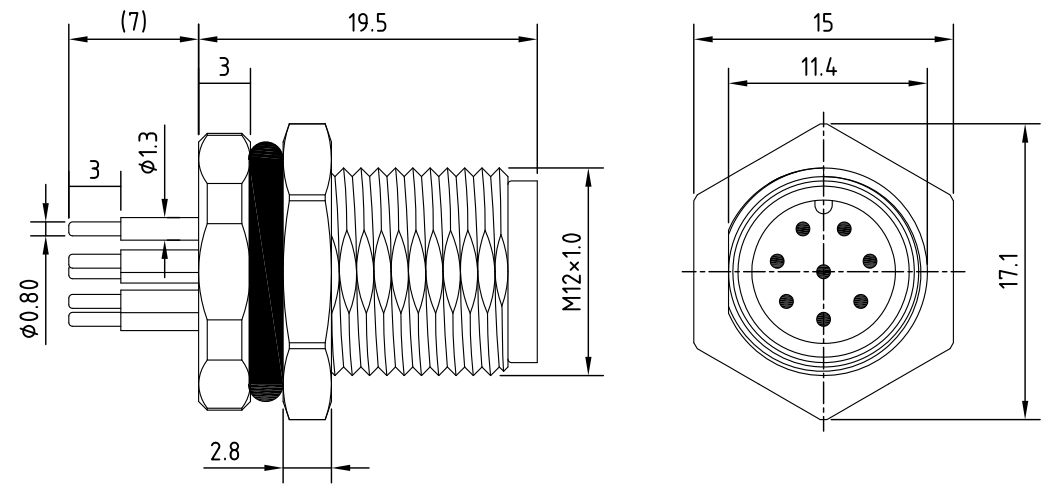


Unicable Co., Ltd. 國陽電業有限公司
 5F., No. 111-33, Sec. 4, San Ho Road, San Chung City, Taiwan, R.O.C.
<http://www.unicable.com.tw> TEL:+886-2-2286-2122 FAX:+886-2-2286-1010

DATE	2016/10/7	PART NO.	UT-SD170F8-XP-02
DWN	GINA	REV.	0
CHK			
UNIT	MM		

ITEM	Sensor Connector M12(MALE CONN. 2-5PIN)
------	---

REV.	Description	Date



Specification of connector

- Locking system : M12
- Termination : DIP
- Shell protection : IP68
- Rated voltage : 125V
- Rated current : 2A
- Contact resistance : $\leq 10\text{m}\Omega$
- Insulation resistance : $> 10\text{M}\Omega$

RoHS
TOLERANCE X \pm 0.5 .X \pm 0.3 .XX \pm 0.2

PART NO.	UT-SD170F8-6P-02	UT-SD170F8-7P-02	UT-SD170F8-8P-02
CONTACT ARRANGEMENT FRONT VIEW (MALE)			
PCB Layout			

5	Nut	Brass	Nickel plated
4	O ring	Rubber	
3	Body	Brass	Nickel plated
2	Pin	Brass	Gold plated
1	Housing	PA	UL94V-0
Item	Description	Material	Treat & Remark

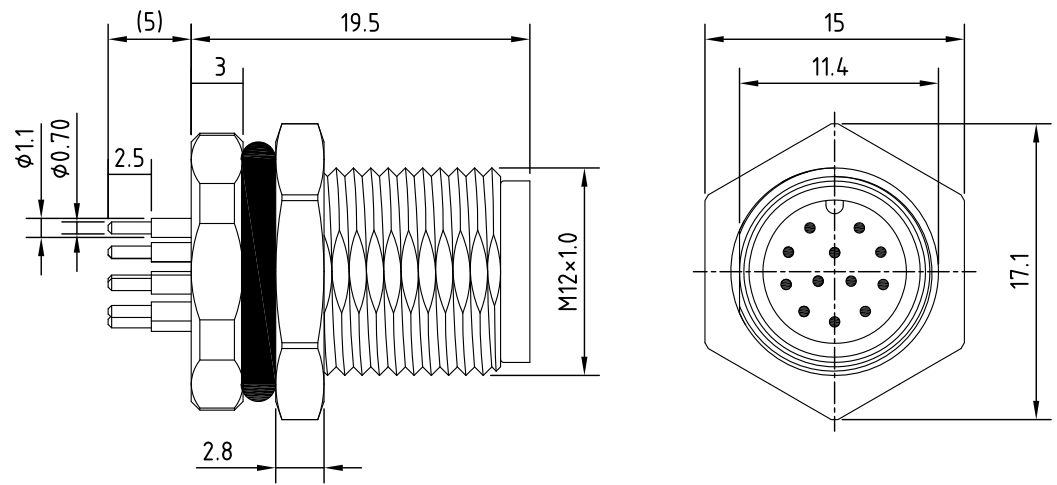


Unicable Co., Ltd. 國陽電業有限公司
5F., No. 111-33, Sec. 4, San Ho Road, San Chung City, Taiwan, R.O.C.
<http://www.unicable.com.tw> TEL:+886-2-2286-2122 FAX:+886-2-2286-1010

DATE	2016/10/7	PART NO.	UT-SD170F8-XP-02
DWN	GINA	REV.	0
CHK			
UNIT	MM		

ITEM	Sensor Connector M12(MALE CONN. 6-8PIN)
------	---

REV.	Description	Date

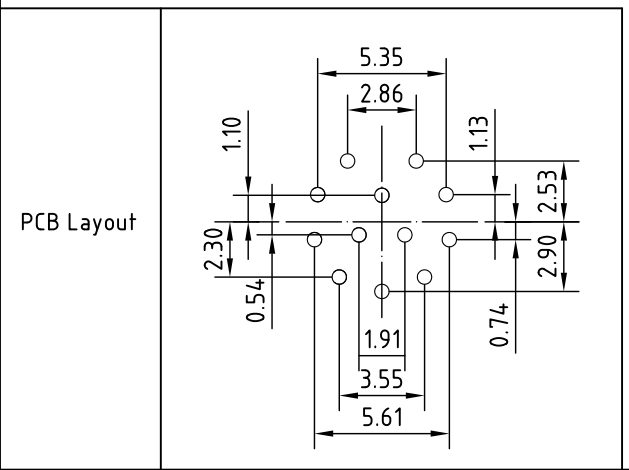


Specification of connector

- Locking system : M12
- Termination : DIP
- Shell protection : IP68
- Rated voltage : 60V
- Rated current : 1A
- Contact resistance : $\leq 10\text{m}\Omega$
- Insulation resistance : $>10\text{M}\Omega$

RoHS

TOLERANCE X \pm 0.5 .X \pm 0.3 .XX \pm 0.2



5	Nut	Brass	Nickel plated
4	O ring	Rubber	
3	Body	Brass	Nickel plated
2	Pin	Brass	Gold plated
1	Housing	PA	UL94V-0
Item	Description	Material	Treat & Remark



Unicable Co., Ltd. 國陽電業有限公司

5F., No. 111-33, Sec. 4, San Ho Road, San Chung City, Taiwan, R.O.C.
<http://www.unicable.com.tw> TEL:+886-2-2286-2122 FAX:+886-2-2286-1010

DATE	2016/10/7	PART NO.	UT-SD170F8-12P-02
DWN	GINA	REV.	0
CHK			
UNIT	MM		

ITEM	Sensor Connector M12(12PIN)
------	-----------------------------