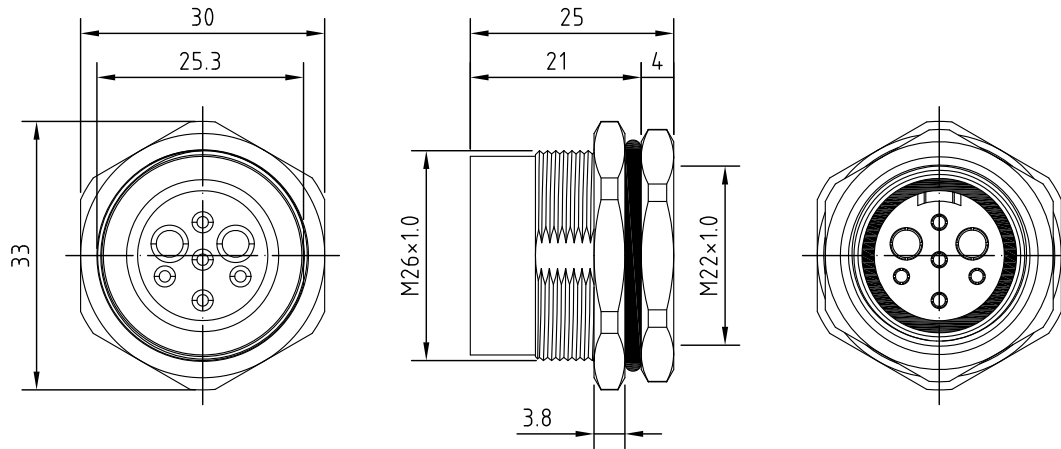


Recommended Panel cut-out



REV.	Description	Date
1	spec. revise	2012/10/31
2	rate voltage revise	2014/6/13
3	contact resistance, insertion/withdrawal force revise	2016/4/19
4	add recommended panel cut-out	2018/4/16
5	rated current revise	2018/10/5
6	panel cut-out dimension revise	2020/9/16

Specification of connector

General Characteristics

- Locking system : screw M22
- Shell protection : IP67
- Rated voltage : 360V
- Rated current : Large pin 35A
: Small pin 10A
- Contact resistance : Large pin <5mΩ
: Small pin <30mΩ
- Insertion force : <80N
- Withdrawal force : <80N

5	Nut	Brass/Chromium plated
4	O ring	Rubber
3	Shell	Brass/Chromium plated
2	Body	PA
1	Pin	Brass/Gold plated
Item	Description	Material&Plating

RoHS
TOLERANCE X±0.5 .X±0.3

CONTACT ARRANGEMENT FRONT VIEW (MALE)	2P	3P	4P	5AP	5BP	6AP	6BP	7P

 **Unicable Co., Ltd. 國陽電業有限公司**
5F., No. 111-33, Sec. 4, San Ho Road., San Chung Dist., New Taipei City, Taiwan
<http://www.unicable.com.tw> Tel:+886-2-2286-2122 Fax:+886-2-2286-1010

DATE	2020/9/16	PART NO.	UT-SD259F1-XP
DWN	GINA	REV.	6
CHK			
ITEM	High Power M22	UNIT	MM