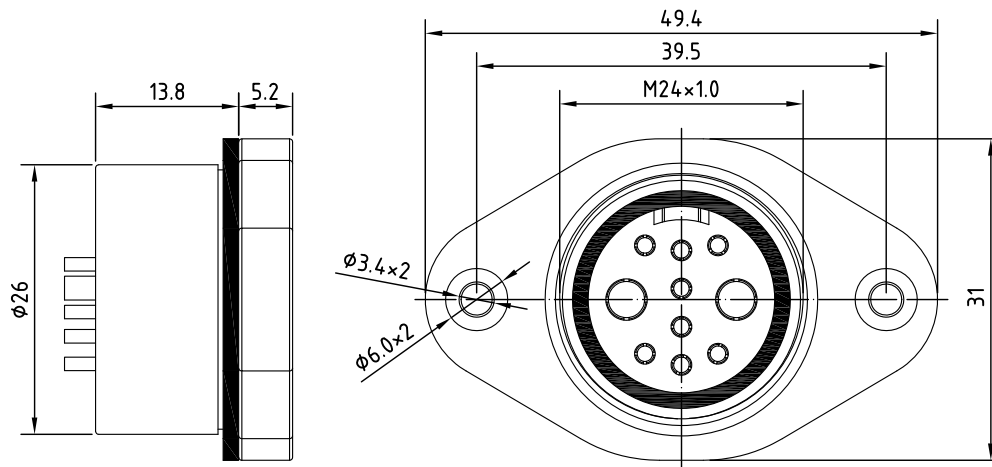


REV.	Description	Date
1	add 2(A)P arrangement	2012/3/29
2	upgrade drawing	2012/6/15
3	contact arrangement revise	2012/12/10
4	arrangement , rate voltage revise	2014/6/13
5	rated voltage , contact resistance , insertion/withdrawal force revise	2016/4/19
6	rated current revise	2018/10/5



Specification of connector

- Locking system : screw M24
 Shell protection : IP67
 Rated voltage : 360V, 60V(9BP)
 Rated current : Large pin 35A
 Small pin 10A
 Contact resistance : Large pin <5mΩ
 Small pin <30mΩ
 Insertion force : <80N
 Withdrawal force : <80N

RoHS

TOLERANCE X±0.5 .X±0.3

CONTACT ARRANGEMENT FRONT VIEW (FEMALE)												
	2AP	8P	9P	10P	9BP							
	2P	3AP	3BP	4P	5AP	5BP	5CP	6AP	6BP	7AP	7BP	9AP

4	Pad	Rubber
3	O ring	Rubber
2	Pin	Brass/gold plated
1	Body	PA
Item	Description	Material



Unicable Co., Ltd. 國陽電業有限公司

5F., No. 111-33, Sec. 4, San Ho Road., San Chung Dist., New Taipei City, Taiwan, R.O.C.
<http://www.unicable.com.tw> TEL:+886-2-2286-2122 FAX:+886-2-2286-1010

DATE	2018/10/5	PART NO.	UT-SD259F5-XP
DWN	GINA	REV.	6
CHK			
ITEM	High Power M24	UNIT	MM