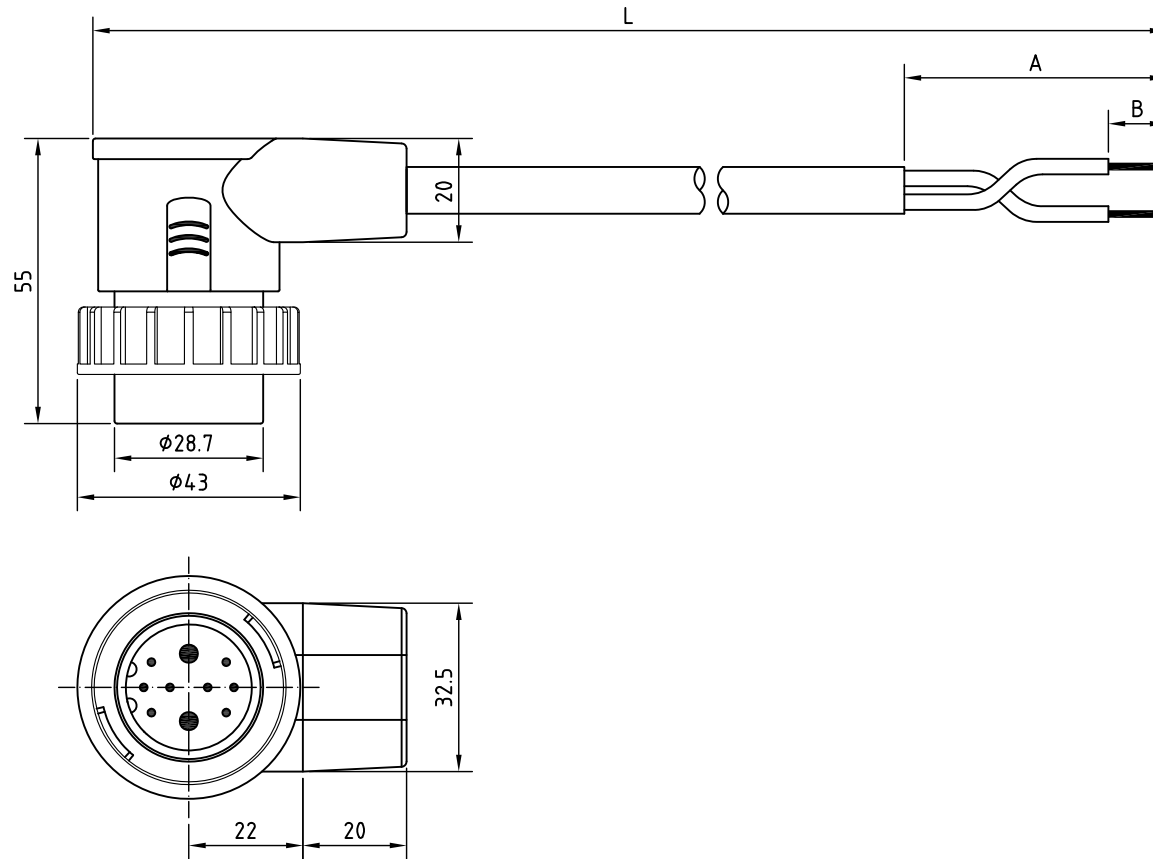


| REV. | Description | Date |
|------|--|------------|
| 1 | upgrade drawing | 2012/10/17 |
| 2 | rated voltage, contact resistance revise | 2016/4/19 |
| 3 | rated current revise | 2018/10/5 |



Specification of connector

| | |
|--------------------|-------------------------------------|
| Locking system | : Twist Lock |
| Shell protection | : IP67 |
| Rated voltage | : 360V |
| Rated current | : Large pin 35A Small pin 10A |
| Contact resistance | : Large pin <5mΩ Small pin <30mΩ |

Materials

| | |
|-----------------|----------|
| Pin contact | : brass |
| Contact plating | : gold |
| Male insert | : PA |
| Ring nut | : PA |
| O-ring | : rubber |

Specification of cable

| Material Jacket | PVC | PUR |
|-----------------|-----|-----|
| | | |

RoHS



Unicable Co., Ltd. 國陽電業有限公司

5F., No. 111-33, Sec. 4, San Ho Road., San Chung Dist., New Taipei City, Taiwan, R.O.C.
<http://www.unicable.com.tw> TEL:+886-2-2286-2122 FAX:+886-2-2286-1010

| | | | |
|------|-----------|----------|--------------|
| DATE | 2018/10/5 | PART NO. | UT-D257M1-XP |
| DWN | GINA | REV. | 3 |
| CHK | | | |
| UNIT | MM | | |

ITEM

High Power