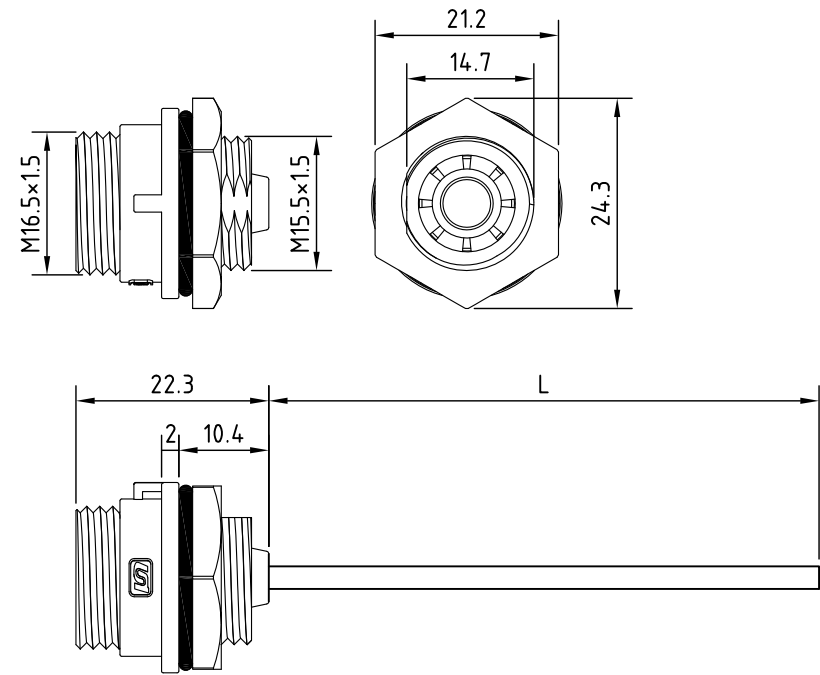


| | | |
|------|--------------|-----------|
| REV. | Description | Date |
| 1 | spec. revise | 2016/6/24 |

IP68 when mated
 Panel connector pre-wired RG174 cable-length 0.5m, 1m & 1.5m.



SMB Specifications

| Electrical | | |
|---------------------------------|---------------------------------------|----------------------|
| Impedance | 50 ohm | |
| Frequency Range | 0-4 GHz | |
| Working Voltage | RG-178: 250 VRMS max. | |
| | RG-316, .085": 335 VRMS max. | |
| | RG-174: 250 VRMS max. | |
| Dielectric Withstanding Voltage | RG-178: 750 VRMS min. | |
| | RG-316, .085": 1000 VRMS min. | |
| | RG-174: 1000 VRMS min. | |
| VSWR | Straight | 1.3 max. |
| Contact Resistance | Center Contact | 6 Milliohms max. |
| | Outer Contact | 2.5 Milliohms max. |
| Insulator Resistance | 1000 Megohms min. | |
| Material | | |
| Parts Name | Material | Finish |
| Body, Matal Parts | Brass per QQ-B-626 | Gold 3 micro-inches |
| Center Contacts | Male: Brass per QQ-B-626 | Gold 30 micro-inches |
| | Female: Beryllium copper per QQ-C-530 | Gold 30 micro-inches |
| Insulators | Teflon | None |
| Crimp Ferrules | Annealed Brass | Gold 3 micro-inches |
| Mechanical & Environmental | | |
| Engagement/Disengagement Force | 14 lbs. max. | |
| Contact Retention | 4 lbs. min. | |
| Durability(Mating) | 500 cycles min. | |
| Temperature Range | -40°C thru 80°C | |
| Vibration | MIL-STD-202 Method 204 Test Cond. B. | |
| Salt Spray | MIL-STD-202 Method 101 Test Cond. B. | |
| Termal Shock | MIL-STD-202 Method 107 Test Cond. B. | |

RoHS



Unicable Co., Ltd. 國陽電業有限公司
 5F., No. 111-33, Sec. 4, San Ho Road, San Chung City, Taiwan, R.O.C.
<http://www.unicable.com.tw> TEL:+886-2-2286-2122 FAX:+886-2-2286-1010

| | | | |
|------|-----------|----------|------------|
| DATE | 2016/10/7 | PART NO. | UT-P265-50 |
| DWN | GINA | REV. | 1 |
| CHK | | | |
| UNIT | MM | | |

| | |
|------|---------------|
| ITEM | SMB Connector |
|------|---------------|